

DATENBLATT

US-324

HABEN SIE FRAGEN ODER WÜNSCHEN SIE EIN INDIVIDUELLES ANGEBOT?

Unser Team berät Sie gerne persönlich.

TELEFON + 49 (0) 81 41/36 97-0

TELEFAX + 49 (0) 81 41/36 97-30

E-MAIL info@plug-in.de

WWW.PLUG-IN.DE

ADRESSE

Am Sonnenlicht 5

D-82239 Alling bei München





US-324

USB 1 Port RS422/485 1MBaud

“SERIAL CARDS ENGINEERED TO EXCEED EXPECTATIONS”

Features

- 1 x RS422/485
- USB 2.0
- 128 Byte TX and 256 Byte RX FIFOs
- Up to 921,600 Baud
- DB9 Connector - 9 Pin Male
- Includes 0.25mm USB Extender cable
- Drivers for all popular operating systems
- Sample Programs, Test & Terminal software
- Lifetime Support
- Lifetime Warranty (registration required)

Product



US-324:
USB 1 Port
RS422/485
1MBaud



Description

USB to Serial adapter providing one RS422/485 serial port. Data transfer rates up to 921,600 baud rates and the 128 byte deep transmit and 256 byte receive FIFOs, coupled with 1Mbit line drivers deliver uncompromising performance on your laptop/PC. Drivers for Windows 32 bit and 64 bit Operating Systems including Windows XP, Server 2003, Vista, Server 2008, Windows 7 and Windows 8 with additional drivers for Raspberry Pi, Mac OS X and Linux.

USB to serial is the quick low cost way to connect your computer to a serial comms enabled device. Boost software gives industry leading functionality and compatibility.

These products do away with traditional issues with USB technology so you can buy with confidence!

With Brainboxes industry renowned Lifetime Warranty and Lifetime Support!

Software

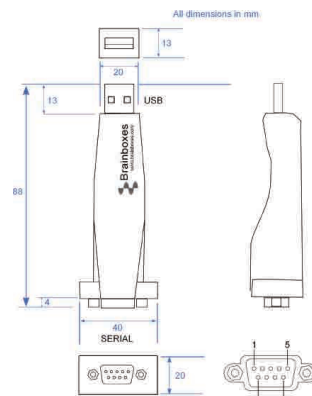
Microsoft signed drivers (easy installation & robust operation) for:

- Windows 8 32 bit 64 bit Editions
- Windows 7 32 bit 64 bit Editions
- Windows Vista 32 bit 64 bit editions
- Windows XP 32 bit 64 bit editions

As well as: full product documentation, a thorough troubleshooting guide and terminal software. Detailed sample source code for many popular programming languages. Further OS support on next page.

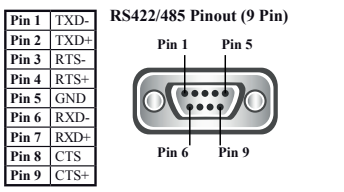
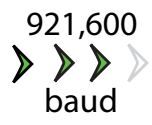



ORDER
Description
USB 1 Port RS422/485 1MBaud

Code
US-324



US-324- USB 1 Port RS422/485 1MBaud

US-324: Full Specification

Port 	Ports 1 x RS422/485 Connector DB9 Connector - 9 Pin Male FIFO Size 256 Rx FIFO + 128 Tx FIFO Operating Distance RS422/485 Standard 4000 ft : 1200 metres Cable USB extender cable 0.25 metre 1ft	
Port Settings 	Baud Rate 921,600 Data Bits 7 or 8 Parity Odd, Even, None, Mark or Space Stop Bits 1 or 2 Flow Control (blank) Tx/Rx Modes Full Duplex, Half Duplex Autogating	
Interface 	OS Compatibility Microsoft Windows 8 32 bit 64 bit Editions Raspberry Pi Microsoft Windows 7 32 bit 64 bit Editions Windows Server 2008 32 bit 64 bit Editions Windows Vista 32 bit 64 bit Editions	BUS USB 2.0
Approvals 	Other Approvals AEO C-TPAT C-Tick Microsoft Certified Gold Partner WEEE RoHS METL UL	Microsoft Approvals Windows 7 32 bit 64 bit Editions Windows Vista 32 bit 64 bit editions Windows XP 32 bit 64 bit editions
General 	PCB Layers 4 Power Consumption 80mA @ 5V Product Weight 0.023 kg, 0.81 ounces Product Size 89x35x20 mm, 3.5x1.4x0.8 inches	
Box Content	Packaging Cable, Installation CD (inc manual, Microsoft signed drivers & Utilities)	Device USB 1 Port RS422/485 1MBaud USB extender cable 0.25 metre 1ft
Product Support	Warranty Lifetime (online registration required)	Support Lifetime Web, Email & Phone Support from fully qualified, friendly staff who work in and alongside our Product Development Team
Additional	OEM Option Available for bulk buy OEM Made In Manufactured in the UK by Brainboxes Winner 2005 European Electronics Industry Awards "Manufacturer of the Year" Customisable Brainboxes operate a "Perfect Fit Custom Design" policy for volume users.	