

# DATENBLATT

---

US-101

## **HABEN SIE FRAGEN ODER WÜNSCHEN SIE EIN INDIVIDUELLES ANGEBOT?**

Unser Team berät Sie gerne persönlich.

**TELEFON** + 49 (0) 81 41/36 97-0

**TELEFAX** + 49 (0) 81 41/36 97-30

**E-MAIL** [info@plug-in.de](mailto:info@plug-in.de)

**WWW.PLUG-IN.DE**

## **ADRESSE**

Am Sonnenlicht 5

D-82239 Alling bei München





# US-101

## USB 1 Port RS232 1MBaud

“SERIAL CARDS ENGINEERED TO EXCEED EXPECTATIONS”

### Features

- 1 x RS232
- USB 2.0
- 128 Byte TX and 256 Byte RX FIFOs
- Up to 921,600 Baud
- DB9 Connector - 9 Pin Male
- Includes 0.25mm USB Extender cable
- Drivers for all popular operating systems
- Sample Programs, Test & Terminal software
- Lifetime Support
- Lifetime Warranty (registration required)

### Product



US-101:  
USB 1 Port RS232  
1MBaud



### Description

USB to Serial adapter providing one RS232 serial port. Data transfer rates up to 921,600 baud rates and the 128 byte deep transmit and 256 byte receive FIFOs, coupled with 1Mbit line drivers deliver uncompromising performance on your laptop/PC. Drivers for Windows 32 bit and 64 bit Operating Systems including Windows XP, Server 2003, Vista, Server 2008, Windows 7 and Windows 8 with additional drivers for Raspberry Pi, Mac OS X and Linux.

USB to serial is the quick low cost way to connect your computer to a serial comms enabled device. Boost software gives industry leading functionality and compatibility.

These products do away with traditional issues with USB technology so you can buy with confidence!

With Brainboxes industry renowned Lifetime Warranty and Lifetime Support!

### Software

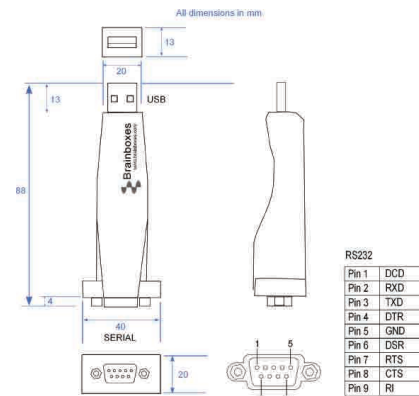
Microsoft signed drivers (easy installation & robust operation) for:

- Windows 8 32 bit 64 bit Editions
- Windows 7 32 bit 64 bit Editions
- Windows Vista 32 bit 64 bit editions
- Windows XP 32 bit 64 bit editions

As well as: full product documentation, a thorough troubleshooting guide and terminal software. Detailed sample source code for many popular programming languages. Further OS support on next page.

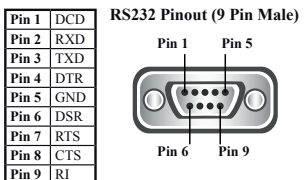
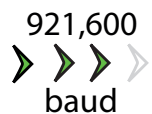



ORDER  
Description  
USB 1 Port RS232 1MBaud

Code  
US-101



# US-101 - USB 1 Port RS232 1MBaud

## US-101: Full Specification

Port	Ports	1 x RS232	
	Connector	DB9 Connector - 9 Pin Male	
	FIFO Size	256 Rx FIFO + 128 Tx FIFO	
	Operating Distance	EIA - RS232 Standard	
	Cable	USB extender cable 0.25 metre 1ft	
	Port Settings	Baud Rate	921,600
	Data Bits	7 or 8	
	Parity	Odd, Even, None, Mark or Space	
	Stop Bits	1 or 2	
	Flow Control		
	Tx/Rx Modes	Point to Point	
Interface	OS Compatibility	Microsoft Windows 8 32 bit 64 bit Editions Raspberry Pi Microsoft Windows 7 32 bit 64 bit Editions Windows Server 2008 32 bit 64 bit Editions Windows Vista 32 bit 64 bit Editions	
	BUS	USB 2.0	
	Approvals	Other Approvals	AEO C-TPAT C-Tick Microsoft Certified Gold Partner WEEE RoHS METL UL
	Microsoft Approvals	Windows 7 32 bit 64 bit Editions Windows Vista 32 bit 64 bit editions Windows XP 32 bit 64 bit editions	
	General	PCB Layers	4
		Power Consumption	40mA @ 5V
Product Weight		0.023 kg	
Product Size		89l x 35w x 20h mm	
Box Content	Packaging	Cable, Installation CD (inc manual, Microsoft signed drivers & Utilities)	
	Device	USB 1 Port RS232 1MBaud USB extender cable 0.25 metre 1ft	
Product Support	Warranty	Lifetime (online registration required)	
	Support	Lifetime Web, Email & Phone Support from fully qualified, friendly staff who work in and alongside our Product Development Team	
Additional	OEM Option	Available for bulk buy OEM	
	Made In	Manufactured in the UK by Brainboxes Winner 2005 European Electronics Industry Awards "Manufacturer of the Year"	
	Customisable	Brainboxes operate a "Perfect Fit Custom Design" policy for volume users.	