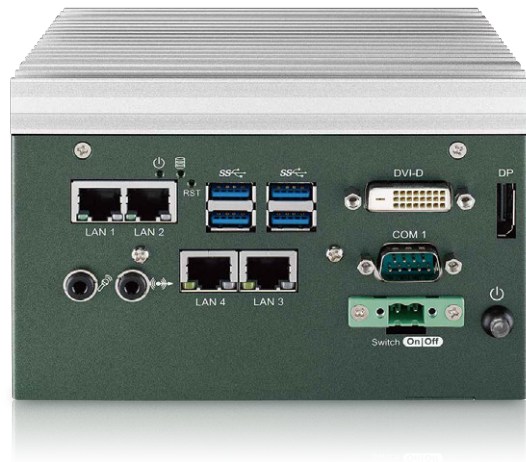
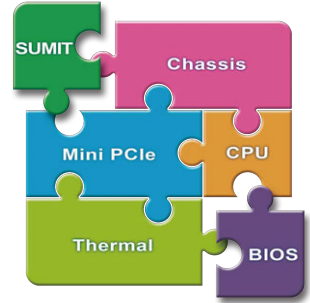


# BP-SPC3500 Serie

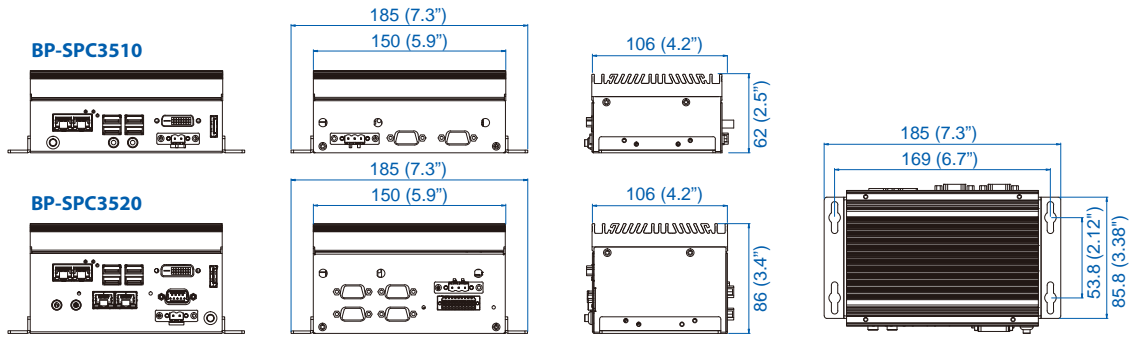
Intel® Core™ i7/ i5/ i3 U-series Processor (Skylake-U) Ultra-compact Fanless Embedded Box PC, 4 GigE LAN, 2 SSD, 1 SIM, 4 USB 3.0, 9 COM, 16 Isolated DIO, -40°C to 85°C, Rugged, High Performance, Extended Temperature



- 6th Generation Intel® Core™ i7/ i5/ i3 U-series SoC (Skylake-U)
- DDR4 2133MHz memory, up to 16GB
- Onboard DVI-D and DisplayPort display interfaces support up to 4K resolution
- Up to 5 Independent GigE LAN, iAMT 11.0 supported
- Optional supports full function SUMIT A, B expansions
- Fanless, -40°C to 85°C Operating Temperature
- 9V to 36V DC Power Input
- 16 Isolated DIO
- 4 USB 3.0, 9 COM RS-232/ 422/ 485
- One-stop SUMIT Expansion Design and Manufacturing Services



## Dimensions & Drawing Unit: mm (inch)



## Specifications

System		Ethernet	
<b>Processor</b>	Intel® Core™ i7/ i5/ i3/ Celeron® U-series Processor (Skylake-U)	<b>LAN 1</b>	Intel® I219 GigE LAN supports iAMT 11.0
<b>Chipset</b>	Intel® SoC (Skylake)	<b>LAN 2</b>	Intel® I210 GigE LAN
<b>BIOS</b>	AMI	<b>LAN 3</b>	Intel® I210 GigE LAN
<b>SIO</b>	IT8786E	<b>LAN 4</b>	Intel® I210 GigE LAN
<b>Memory</b>	1 DDR4 2133/ 1866 MHz SO-DIMM, up to 16GB	<b>LAN 5</b>	Optional by SUMIT expansion
<b>OS</b>	Windows 10, Windows 8.1, Windows 7, Linux	<b>Power</b>	
<b>I/O Interface</b>		<b>Power Input</b>	9V to 36V, DC-in
<b>Serial</b>	Up to 9 COM RS-232/ 422/ 485	<b>Power Interface</b>	3-pin Terminal Block : V+, V-, Frame Ground
<b>USB</b>	• 4 USB 3.0 (External) • Up to 4 USB 2.0 (Internal)	<b>Remote Switch</b>	2-pin Terminal Block
<b>DIO</b>	<b>BP-SPC3520, 3530</b> : 16 Isolated DIO : 8 DI, 8 DO <b>BP-SPC3510</b> : 16 GPIO (Internal)	<b>Others</b>	
<b>LED</b>	Power, HDD	<b>Watchdog Timer</b>	Reset : 1 to 255 sec./min. per step
<b>SIM Card</b>	1 SIM Card Socket (Internal)	<b>Smart Management</b>	Wake on LAN, PXE supported
<b>Expansion</b>		<b>HW Monitor</b>	Monitoring temperature, voltages. Auto throttling control when CPU overheats.
<b>Mini PCIe</b>	2 Mini PCIe Socket : • 1 Full-size for PCIe/ USB/ Internal SIM Card • 1 Full-size for PCIe/ USB/ mSATA	<b>Mechanical</b>	
<b>SUMIT A, B</b>	2 SUMIT Slot (Optional)	<b>Dimensions (WxLxH)</b>	<b>BP-SPC3510</b> : 150mm x 106mm x 62mm (5.9"x4.2"x2.5") <b>BP-SPC3520</b> : 150mm x 106mm x 86mm (5.9"x4.2"x3.4") <b>BP-SPC3530</b> : 150mm x 106mm x 100mm (5.9"x4.2"x3.9")
<b>Graphics</b>		<b>Weight</b>	<b>BP-SPC3510</b> : 1.4 kg (3.08 lb) <b>BP-SPC3520</b> : 1.8 kg (3.97 lb) <b>BP-SPC3530</b> : 2.1 kg (4.62 lb)
<b>Processor</b>	Intel® HD Graphics 520	<b>Mounting</b>	• Wallmount by mounting bracket • 2U Rackmount (Optional)
<b>Interface</b>	• DVI-D : Up to 1920 x 1080 @ 60Hz • DisplayPort : Up to 3840 x 2160 @ 60Hz	<b>Environment</b>	
<b>Storage</b>		<b>Operating Temp.</b>	-40°C to 85°C (-40°F to 185°F)
<b>SATA</b>	2 SATA III (6Gbps) support S/W RAID function	<b>Storage Temp.</b>	-40°C to 85°C (-40°F to 185°F)
<b>mSATA</b>	1 SATA III (Mini PCIe Type, 6Gbps)	<b>Humidity</b>	5% to 95% Humidity, non-condensing
<b>Storage Device</b>	2 2.5" SSD/ HDD Bracket (Internal)	<b>Relative Humidity</b>	95% @ 70°C
<b>Audio</b>		<b>Shock</b>	• IEC 60068-2-27 • SSD : 50G @ wallmount, Half-sine, 11ms • IEC 60068-2-64 • SSD : 5Grms, 5Hz to 500Hz, 3 Axis
<b>Audio Codec</b>	Realtek ALC888S-VD, 7.1 Channel HD Audio	<b>Vibration</b>	• IEC 60068-2-64 • SSD : 5Grms, 5Hz to 500Hz, 3 Axis
<b>Audio Interface</b>	1 Mic-in, 1 Line-out	<b>EMC</b>	CE, FCC, EN50155, EN50121-3-2

## Order Information

<b>BP-SPC3510-600U</b>	• BP-SPC3500, onboard Intel® Core™ i7-6600U, 2 GigE LAN, 1 SSD, 4 USB 3.0, 2 COM, 1 SIM
<b>BP-SPC3510-300U</b>	• BP-SPC3500, onboard Intel® Core™ i5-6300U, 2 GigE LAN, 1 SSD, 4 USB 3.0, 2 COM, 1 SIM
<b>BP-SPC3510-100U</b>	• BP-SPC3500, onboard Intel® Core™ i3-6100U, 2 GigE LAN, 1 SSD, 4 USB 3.0, 2 COM, 1 SIM
<b>BP-SPC3510-955U</b>	• BP-SPC3500, onboard Intel® Celeron® 3955U, 2 GigE LAN, 1 SSD, 4 USB 3.0, 2 COM, 1 SIM
<b>BP-SPC3520-600U</b>	• BP-SPC3500, onboard Intel® Core™ i7-6600U, 4 GigE LAN, 1 SSD, 4 USB 3.0, 5 COM, 1 SIM, 16 Isolated DIO
<b>BP-SPC3520-300U</b>	• BP-SPC3500, onboard Intel® Core™ i5-6300U, 4 GigE LAN, 1 SSD, 4 USB 3.0, 5 COM, 1 SIM, 16 Isolated DIO
<b>BP-SPC3520-100U</b>	• BP-SPC3500, onboard Intel® Core™ i3-6100U, 4 GigE LAN, 1 SSD, 4 USB 3.0, 5 COM, 1 SIM, 16 Isolated DIO
<b>BP-SPC3520-955U</b>	• BP-SPC3500, onboard Intel® Celeron® 3955U, 4 GigE LAN, 1 SSD, 4 USB 3.0, 5 COM, 1 SIM, 16 Isolated DIO
<b>BP-SPC3530-600U</b>	• BP-SPC3500, onboard Intel® Core™ i7-6600U, 4 GigE LAN, 2 SSD, 4 USB 3.0, 9 COM, 1 SIM, 16 Isolated DIO
<b>DDR4 16G</b>	• Certified DDR4 16GB 2133MHz RAM
<b>DDR4 8G</b>	• Certified DDR4 8GB 2133MHz RAM
<b>DDR4 4G</b>	• Certified DDR4 4GB 2133MHz RAM
<b>PWA-120W</b>	• 120W, 24V, 90V AC to 264V AC Power Adapter with 3-pin Terminal Block
<b>PWA-160W-WT</b>	• 160W, 24V, 85V AC to 264V AC Power Adaptor with 3-pin Terminal Block, Wide Temperature -30°C to +70°C
<b>TMK2-20P-100</b>	• Terminal Block 20-pin to Terminal Block 20-pin Cable, 100cm
<b>TMK2-20P-500</b>	• Terminal Block 20-pin to Terminal Block 20-pin Cable, 500cm
<b>TMB-TMBK-20P</b>	• Terminal Board with One 20-pin Terminal Block Connector and DIN-Rail Mounting
<b>3G Module</b>	• Mini PCIe 3G/GPS Module with Antenna
<b>4G Module</b>	• Mini PCIe 4G/GPS Module with Antenna
<b>WiFi &amp; Bluetooth Module</b>	• Mini PCIe WiFi & Bluetooth Module with Antenna

BP-SPC3500-20210322

\* All product information may subject to change without prior notice.

\* The rights of all brand names, product names and trademarks belong to their respective owners.  
Copyright © 2021 Vecow Co., Ltd. All rights reserved.

**Vecow**