



## Main Features

- 11th Generation Intel® Core™ (Tiger Lake-UP3) processor SoC
- Dual 4K @ 60Hz display output, DP++, HDMI 2.0
- Support 4K @ 60Hz eDP display output
- Dual LAN ports and 4 x USB 3.0 ports for easy connection
- Compact and slim design (H: 36mm)
- Onboard M.2 2280 Key M with PCIe signal for storage modules
- Onboard M.2 2230 Key E for optional Wi-Fi modules
- Support extended temperature for outdoor application
- Fanless design

## Product Overview

Powered by the 11th generation Intel® Core™ Tiger Lake processor, NDiS B360 series, a new visual edge computing system can handle very rich multimedia contents. With Intel® processor's low power consumption and new Intel® Iris® Xe graphics, the platform delivers powerful graphics offering stunning visuals for compelling 4K content creation and media playback. In addition, NDiS B360 series supports display output by HDMI and DP ports with flexible integration for various peripherals such as screen displays, scanners, readers, and many more. The NDiS B360 is a slim-type fanless embedded system with extended temperature durability, making it suitable for outdoor usage in locations such as QSR drive through kiosks, intelligent vending machines, information stands, bus stops, or digital transit information signs. With two GbE capable LAN and Wi-Fi modules, NDiS B360 is also ideal as an intelligent IoT gateway for data collection and communication in the fields of automation, smart energy, and smart transportation applications.

## Specifications

### CPU Support

- Onboard 11th Generation Intel® Core™ i3-1115G4E processor, Dual Core, 2.2 GHz, 6M Cache (15W)
- Onboard 11th Generation Intel® Core™ i5-1145G7E processor, Quad Core, 1.5 GHz, 8M Cache (15W)
- Onboard 11th Generation Intel® Core™ i7-1185G7E processor Quad Core, 1.8 GHz, 12M Cache (15W) (by request)

### Chipset

- SoC (codenamed Tiger Lake-UP3)

### Main Memory

- 1 x 260-pin DDR4 SO-DIMM, supports non-ECC, un-buffered memory up to 32G

### Graphics & Display

- Intel® UHD graphics on i3 processor
- Intel® Iris® Xe graphics on i5 and i7 processor
- 1 x DP++, support 4096 x 2304 @ 60Hz
- 1 x HDMI 2.0, support 4096 x 2160 @ 60Hz

### I/O Interface-Front

- 1 x Power button
- 1 x HDD LED

- 1 x Line-out
- 1 x DB9 for RS232 (COM2)
- 2 x Antenna hole

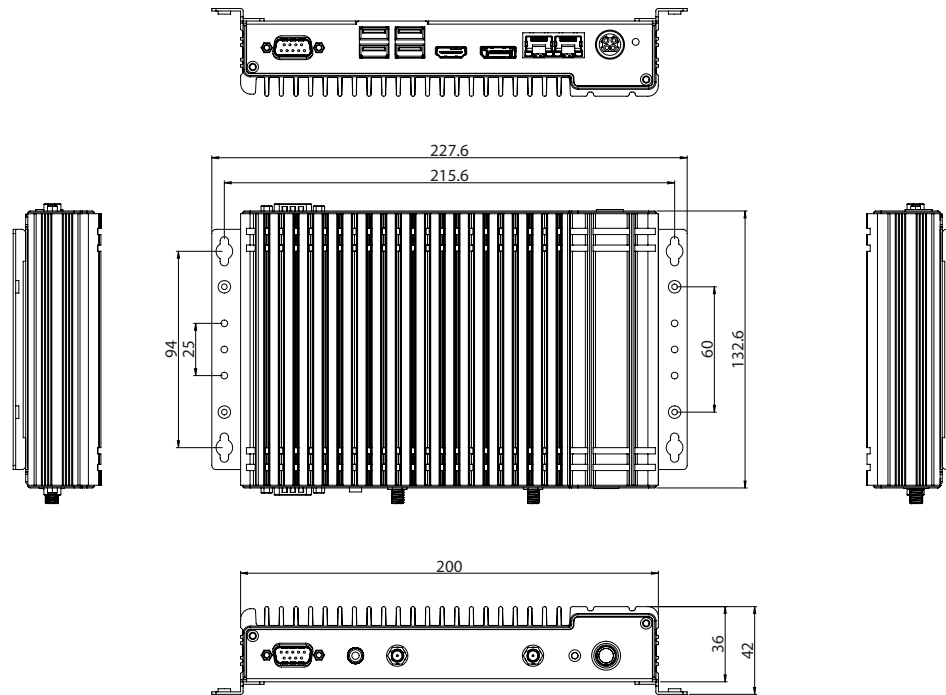
### I/O Interface-Rear

- 1 x 12V DC Jack
- 2 x RJ45 Intel® Gigabit LAN port
  - 1 x Intel® I219-LM GbE PHY
  - 1 x Intel® I211-AT GbE LAN
- 1 x DP++
- 1 x HDMI 2.0
- 4 x USB 3.0
- 1 x DB9 for RS232/422/485 (COM1)

### I/O Interface-Internal

- 4 x USB 2.0, internal connector
- 1 x Mic-in, internal connector
- 1 x Speaker-out with 2W/4Ω amplifier, internal connector
- 6 x GPIO pin header for 3 x GPI and 3 x GPO
- 1 x 4-pin connector for PWM smart FAN
- 1 x 12V 2A power output coming from main power source to additional module use
- 1 x eDP: support 4096 x 2160 @ 60Hz
- TPM 2.0 onboard

## Dimension Drawing



### Storage

- 1 x M.2 2280 Key M (PCIe x4 only), support optional storage modules

### Expansion

- 1 x M.2 2230 Key E (PCIe x1), support optional Wi-Fi modules

### Power Supply

- 1 x External 60W AC/DC power adapter
- Input: 100VAC to 240VAC
- Output: DC+12VDC

### Environment

- Operating temperature: -20°C to 60°C with 0.7 m/s air flow
- Storage temperature: -20°C to 80°C
- Humidity: 10 to 90% (non-condensing)

### Certification

- CE Approval
- FCC Class A

### Dimensions

- 200mm (W) x 132.6mm (D) x 36mm (H) (without wall mount bracket)

### Operating System

- Win 10, 64 bit
- Win 11
- Linux

## Ordering Information

- **NDiS B360-i3 (P/N: 10W00B36000X0)**
- 11th Generation Intel® Core™ i3-1115G4E processor slim and fanless system
- **NDiS B360-i5 (P/N: 10W00B36001X0)**
- 11th Generation Intel® Core™ i5-1145G7E processor slim and fanless system