

US-320

Ultra 1 Port RS422/485 USB to Serial Adapter

- 1 Port RS-422/485 USB to Serial Adapter
- Our smallest form factor USB to Serial
- 0°C to +60°C / -32°F to +140°F Operating Temperature
- High Retention USB connector with 0.5m USB cable
- Lifetime Warranty & Support



Industrial Specification
IP-50 rated
0°C to +60°C
-32°F to +140°F



Wall Mounting Option



Includes High Retention USB connector with 0.5m USB Type A to B cable



US-320 Ultra 1 Port RS422/485 USB to Serial Adapter



Housing & Connectors

IP-50 rated non-conducting polyamide case
 DB9 Connector - 9 Pin Male
 High Retention USB Connector
 Wall mounting screw recess

Power Consumption 80mA @ 5V
 Power Supply Input +5V through USB cable (supplied)

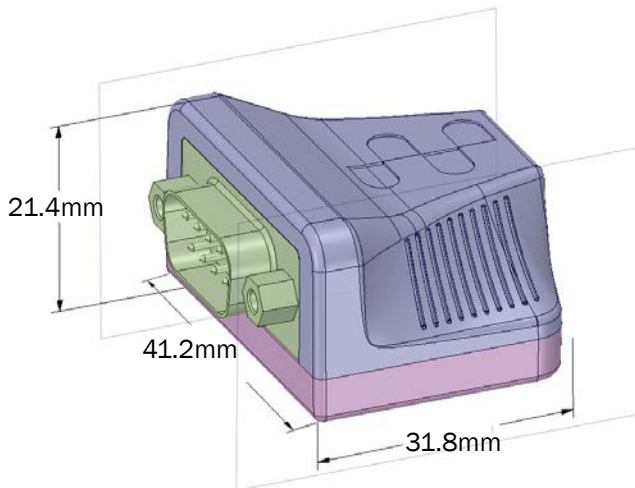
Environmental

Operating Temperature 0°C to +60°C / -32°F to +140°F
 Storage Temperature 0°C to +60°C / -32°F to +140°F

Port Settings - RS232

Baud Rate 300 to 921,600 baud
 Data Bits 7 or 8
 Parity Odd, Even, None, Mark or Space
 Stop Bits 1 or 2
 Flow Control RTS/CTS, XON/XOFF
 Tx/Rx Modes Full Duplex, Half Duplex Autogating, Hardware Autogating, TxD always/
 RTS true enabled, Rx D always enabled, Rx D RTStrue disabled, CTS forced true

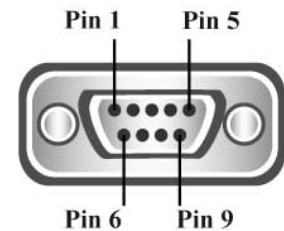
US-320 Ultra 1 Port RS422/485 USB to Serial Adapter



RS422/485

| | |
|-------|------|
| Pin 1 | TXD- |
| Pin 2 | TXD+ |
| Pin 3 | RTS- |
| Pin 4 | RTS+ |
| Pin 5 | GND |
| Pin 6 | RXD- |
| Pin 7 | RXD+ |
| Pin 8 | CTS |
| Pin 9 | CTS+ |

RS422/485 Pinout (9 Pin)



Software

OS Compatibility

Brainboxes' software provides a Serial COM port interface. All software versions and updates available to download from our website.

Microsoft

Windows 8, Windows 8.1, Windows 10
Windows Server 2016
Windows Server 2019



Lifetime Warranty and Support:

We can help with every aspect of your project, from getting you up and running to custom application.

US-320 Ultra 1 Port RS422/485 USB to Serial Adapter

| | |
|-----------------------|---|
| Packaging Information | QSG, Device, 0.5m USB Type A to B cable (signed drivers are automatically downloaded by Windows OS) |
| Product Weight | 0.024 kg, 0.85 ounces |
| Product Dims | 41x38x22 mm, 1.6x1.5x0.9 inches |
| Packaged Weight | 0.155 kg, 5.47 ounces |
| Packaged Dims | 160x135x45 mm, 6.3x5.3x1.8 inches |
| GTIN Universal Code | 837324003666 |
| Industry Approvals | Microsoft Certified Gold Partner, WEEE, RoHS, AEO (C-TPAT), CE, UKCA, UL |
| HTS | 8471800000 |
| ECCN | 4A994 |
| CAGE | 8QCY6 |
| Warranty | Lifetime - online registration required |
| Support | Lifetime Web, Email & Phone Support from fully qualified, friendly staff who work in and alongside the Product Development Team |
| Standards | ISO9001, ISO14001 |
| OEM option | Available for bulk buy OEM |
| Customisable | Brainboxes operate a 'Perfect Fit Custom Design' policy for volume users |

USB to Serial Range

USB to Serial adaptors available in a range of formats and specifications



US-101

USB 1 Port RS232 1MBaud



US-235

Ultra 1 Port RS232 USB to Serial Adapter



US-257

2 Port RS232 USB to Serial Adapter