

MIT-W101

10" Industrial Tablet PC with Intel® Celeron® Processor



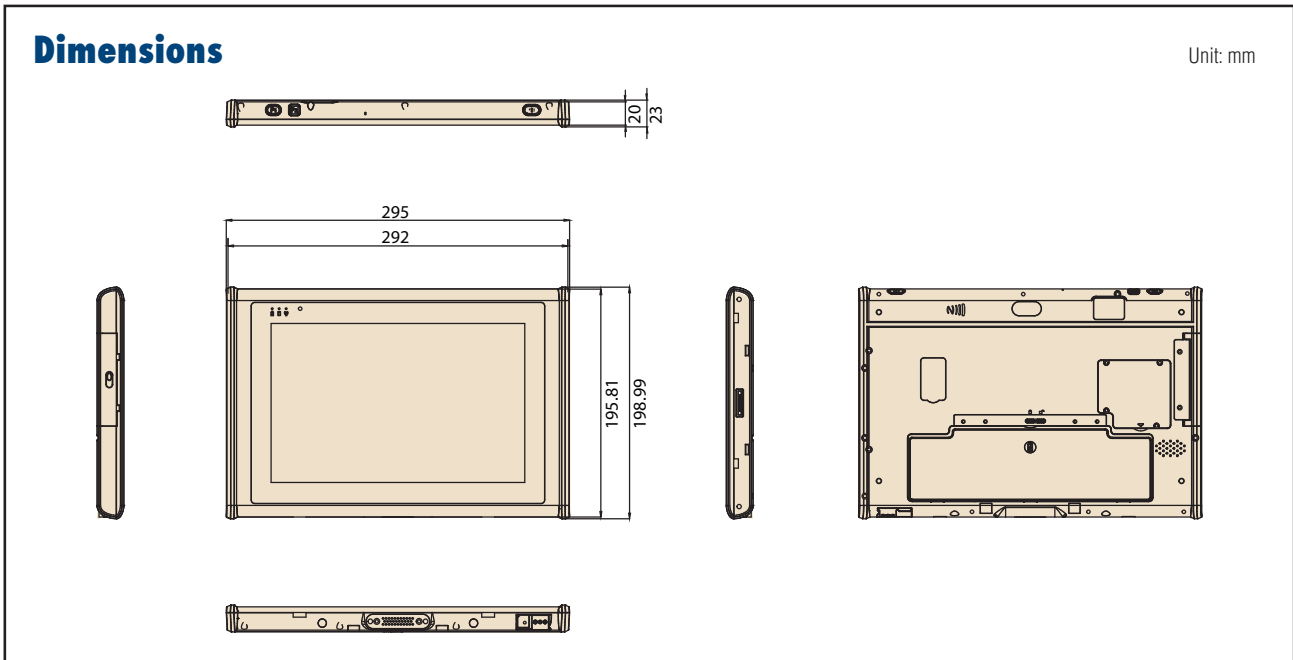
Features

- Intel® Celeron® N2930 Quad Core processor
- Supports Windows 8 Operating System
- 10.1" WXGA, Projective Capacitive Multi Touch Display
- -10°C to 50°C (14°F to 122°F), IP65, MIL-STD 810G / 4ft drop compliant
- Compact/Slim design: 20mm/0.79inch height
- Seamless communications, including Wi-Fi, BT, NFC (optional)
- Warm swappable battery
- Optional integrated 1D/2D barcode scanner and expansion module (MSR+SMC)
- Optional Class I Division 2, groups ABCD certified model
- Optional accessories include: 6ft drop rugged bumper, docking station, hand strap, and multi-function cover

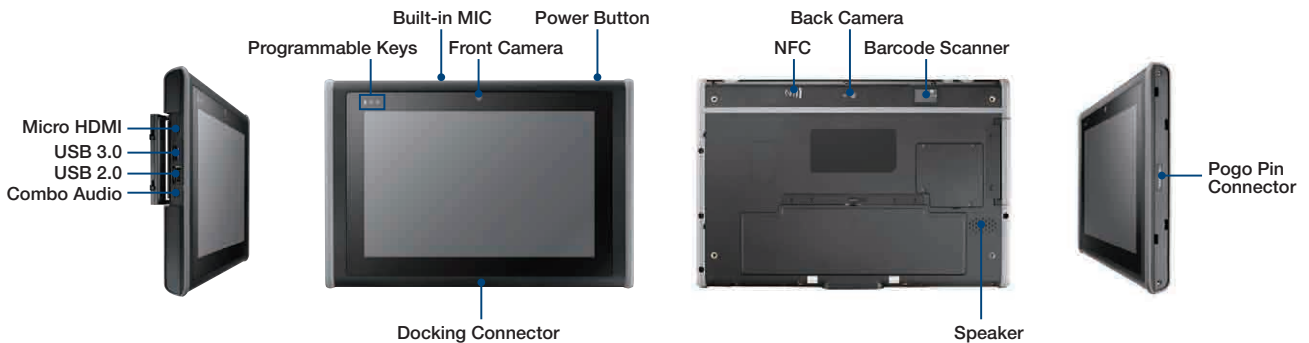


Specifications

Computing System	CPU	Intel® Celeron® Processor N2930
	Max. Speed	Quad Core 1.83GHz
	Memory	DDR3L 1600MHz SODIMM (Default 4GB / Up to 8GB)
	Operating System	Microsoft Windows Embedded 8 (Default), Microsoft Windows Embedded 7 (Optional)
Storage	SSD	1 x mSATA SSD (Default 64GB / supports up to 128GB)
Display	Display Type	10.1" TFT LCD Panel
	Max. Resolution	1280 x 800
	Touch Type	Projected Capacitive Multi-Touch
	Glass Type	Enhanced Glass
Communication	WiFi	Wireless IEEE 802.11a/b/g/n
	Bluetooth	Bluetooth v4.0 CLASS II
	NFC	Read/Write Device Compatible With ISO15693, ISO14443A, ISO14443B, Felica (Optional)
Audio		Internal speaker x 1, Internal Mono Microphone x 1
Connectivity	I/O Port Interfaces	Combo Audio x1, USB 3.0 x1, USB 2.0 x1, Micro HDMI x1, DC Jack x1, Expansion Port x1, Docking Port x1
	Embedded I/O Devices	2.0M Fixed Focus Camera At Front 5.0M Auto Focus Camera With LED Flash At Rear 2D Barcode Scanner (Optional)
Expansion Module		MSR + Smart Card Reader (Optional)
Control Buttons		Power Button Programmable Button x2
System Indicators		Power / Battery Status x1, HDD x1, Wireless / BT x1
Ingress Protection	Water / Dust Resistance	IP-65 compliant (IEC 60529)
Power Supply	AC Adapter In	100 ~ 240 V ~ 1.5A 50/60 Hz
	AC Adapter Out	19 V, 3.4 A Max, 65 W
	Battery Capacity	Main Battery: 31.7 Whrs (11.1V 2860mAh) Extended Battery: 49 Whrs (11.1V 4540mAh) (Optional) (UN 38.3, UL 2054, IEC / EN 62133 edition 2 certified)
Environment	Temperature	Operating: -10°C ~ +50°C, 14°F to 122°F Storage: -30°C ~ +70°C, -22°F to 158°F (refer to IEC 60068-2-1 / IEC 60068-2-2 / IEC 60068-2-78)
	Humidity	Operating: 5% ~ 95% @ 40°C/104°F non-condensing, Storage: 5% ~ 95% @ 40°C/104°F non-condensing (refer to IEC 60068-2-1 / IEC 60068-2-2 / IEC 60068-2-78)
	Vibration	Operation: (5-500GHz) 1G (refer to IEC 60068-2-64) Non-operating: (5-500GHz) 4.4mm – 2G (refer to : IEC60068-2-6)
	Shock Resistance	Operating: 20 G, 11 ms (refer to : IEC 60068-2-27) Shipping Package : 1 ~ 200 Hz, 1.15G (refer to ISTA 2A)
	Handling Drop	4ft drop onto steel plate, 4ft drop onto 2inch plywood over concrete (MIL-STD 810G compliant) 6ft drop with add-on bumper
	Physical Characteristics	Dimensions (W x H x D)
Weight		1.1 kg/ 2.4 lb (Base Configuration)
Color		Black
Regulatory Approvals		Emissions & Immunity : EN 55011:2009+A1:2010, Group 1 Class B, EN 55022:2010/AC:2011, Class B, EN 61000-6-3:2007+A1:2011/AC:2012, EN 61000-3-2:2014, Class D, EN 61000-3-3:2013, EN 55024:2010, EN 61000-6-1:2007, FCC CFR47 PART15 SUBPART B, ICES-003 Issue 5 : 2012 ANSI C63.4-2009, ETSI EN 301489-1 V1.92 2011-09, ETSI EN 301489-17 V2.2.1 2012-09, ETSI EN 300328 V1.8.1:2012, ETSI EN 301893 V1.7.1:2012, FCC PART 15 SUBPART C ANSI C63.10:2013, FCC PART 15 SUBPART E ANSI C63.10:2013 Safety : CB Scheme, IEC / EN 60950-1, UL 60950-1, 2nd Edition, ANSI / ISA 12.12.01-2015– Optional Class I Division 2, groups ABCD certified model



Front/Rear/Side View



Ordering Information

Part Number	Description
MIT-W101-Q04DNB00E	N2930/ 4GDDR/ 64GSSD/ WiFi/ BT/ NFC/ Black/ WES8
MIT-W101-Q04DNBF2E	N2930/ 4GDDR/ 64GSSD/ WiFi/ BT/ NFC/ Barcode/ Black/ WES8

Peripheral Ordering Information

Part Number	Description
170203180A	Power Cord 3P UK 2.5A/ 3A 250V 1.83M
170203183C	Power Cord 3P Europe (WS-010+WS-083) 1.83M
1700001524	Power Cord 3P UL 10A 125V 1.8M

MIT-W101

MIT-W101 Series Accessories (Industrial)

Docking Station



Expansion Module



Extended Battery Pack



Rugged Bumper



Order P/N	MIT-W101-ACCDS000E	MIT-W101-ACCEM000E	1760002237-01	MIT-W101-ACCBH000E
Color	Black	Black	Black	Black
Dimensions	260.8 x 185 x 103.8 mm	193 x 17 x 5.3 mm	210 x 64 x 15 mm	220 x 47 x 30 mm (1 pc)
Weight	1 Kg (2.2 lb)	85 g (0.19 lb)	320 g (0.7 lb)	172 g (0.38 lb)
Remark	Power input: 19V/ 3.4A	MSR & Smart Card Reader	11.1V/ 4540 mAh	Rugged bumper set with hand strap

Multi-function Cover



X-Type Hand Strap



Shoulder Strap



Stylus Pen w/Tether Cord

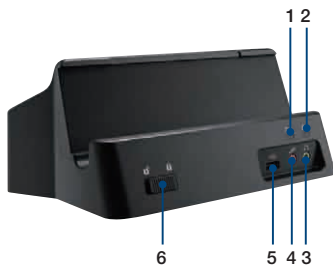


Order P/N	MIT-W101-ACCVB000E	9680015881	9680015882	9680015747
Color	Silver + Black	Black	Black	Black
Dimensions	276.6 x 175.5 x 9 mm	280 x 165 mm	147 cm ± 5 cm	120 x 7 mm ± 5mm
Weight	210 g (0.46 lb)	70 g (0.15 lb)	110 g (0.24 lb)	25 g (0.05 lb)
Remark	VESA mount (75 x 75 mm)	M4 x 8 mm screws included	M4 x 8 mm screws included	Tether with rugged bumper

I/O Ports

Docking Station

Front



1. Battery Bay Status LED
2. Detection LED
3. Earphone Jack
4. Microphone Jack
5. USB 2.0 Port
6. Lock Mechanism

Rear



7. Battery Charging Bay
8. COM Port
9. VGA Port
10. USB 2.0 Port
11. LAN Port
12. Power Jack