

# IPC-6025

## 5-Slot Desktop/Wallmount Chassis with Scalability as 5U Quad-System Solution

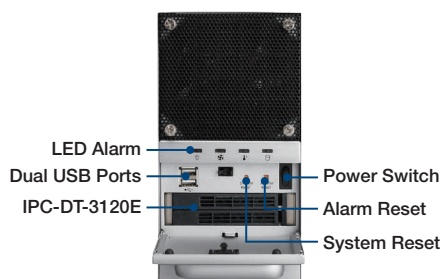


### Features

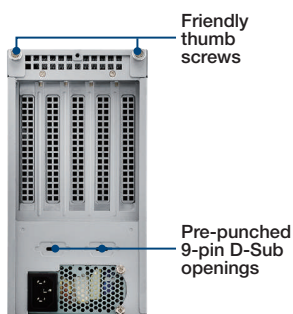
- Front handle for easy withdraw in rackmount carrier
- Lockable front door prevents unauthorized access
- Shockproof drive bay for two 3.5" HDDs
- LED indicators for system fault detection
- Optional rackmount carrier for quad-system solution
- Built-in Intelligent System Module enabling whole system fan control and Hardware Monitoring

		External	Internal
Drive Bay	3.5"	1	1
Cooling	Fan	1 (9 cm / 51.5 CFM)	
	Air Filters	Yes	
Front I/O Interface	USB 2.0	2	
Miscellaneous	LED Indicators	Power, fan, temperature, HDD	
	Control	Power switch and system reset buttons	
	Rear Panel	Reserved Two 9-pin D-Sub openings	
Intelligent System Module Hardware Monitoring	CPU/System fan speed , CPU/System temperature (Only Advantech AIMB-78X, PCE-51XX/71XX mainboards can enable CPU fan speed and temperature monitoring function of Intelligent System Module)		
Environment		Operating	Non-operating
	Temperature	0 ~ 40 °C (32 ~ 104 °F)	
	Humidity	10 ~ 85% @ 40 °C, non-condensing	
	Vibration (5 ~ 500 Hz)	1 Grms	
	Shock	10 G (with 11 ms duration, half sine wave)	
Physical Characteristics	Dimensions (W x H x D)	111 x 212 x 420 mm (4.4" x 8.3" x 16.5")	
	Weight	4.7 kg (10.3 lb)	

### Front View



### Rear View

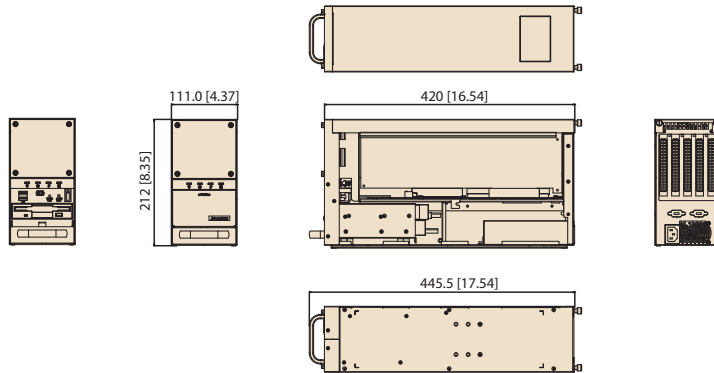


4 IPC-6025 combined as a 5U quad-system rackmount IPC

Note: Hot swap drive bay module should be bought separately.

## Dimensions

Unit: mm [inch]

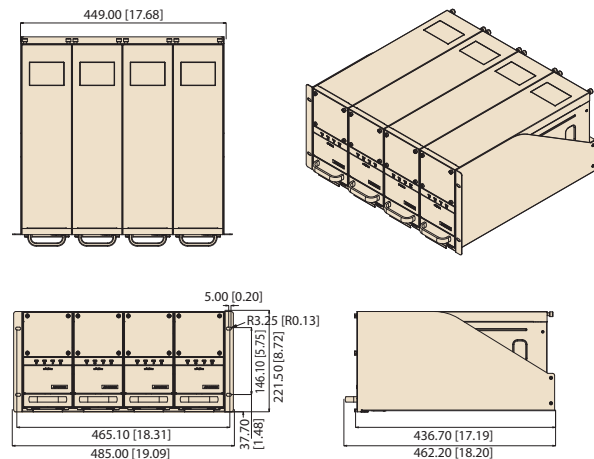
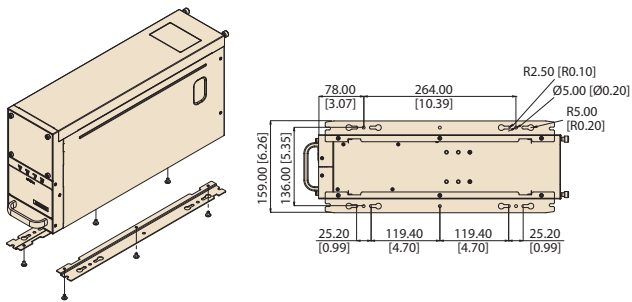


## Installation

### Single System

### Quad System

Unit: mm [inch]



## Ordering Information

Part number	Power Supply	80 Plus Grade	Wattage	Type	Input	Switch type
IPC-6025BP-35B	PS8-350FATX-GB	Gold	350W	Single	90 ~ 264 V <sub>AC</sub>	ATX Switch

## Optional Accessories

Ordering P/N	Description
9892602501E	Rackmount carrier for Quad System solution
IPC-DT-3120E	Mobile rack for dual 2.5" SATA HDDs

## Backplane Options

Model	PICMG 1.3/1.0	PCIe	PCI-X	PCI	ISA	PCI/ISA
<b>PCE-5000 Series</b>						
PCE-5B04-20B1E	PICMG 1.3	1 (PCIe x 16)	2	-	-	-
PCE-5B05-02A1E	PICMG 1.3	1 (PCIe x 16) 1 (PCIe x 4)	-	2	-	-
PCE-5B05-03A1E	PICMG 1.3	1 (PCIe x 16)	-	3	-	-
<b>PICMG 1.0</b>						
PCA-6105P3-5A1E	PICMG 1.0	-	-	2	1	1